

## Troubleshooting

If you install an Ultra Wide SCSI HardTape Bay and it does not function properly, please follow the troubleshooting steps below.

### Step 1. Check Host Adapter

Verify the adapter card is seated in its slot on the motherboard.

### Step 2. Check all Connectors and Cables.

Check to ensure Bay PCB power connector, internal SCSI connector and ribbon cable connectors are properly seated. Ribbon cables are easily damaged due to improper folding. Replace a damaged or suspect cable with a known good cable. Make sure no connector pins are bent. Verify pin-1 on the interface cable is aligned with pin-1 on the drive and host adapter.

### Step 3. Verify the Jumper Setting.

Review the section "Configuring your Ultra Wide SCSI HardTape Bay to check if the jumper setting is correct.

### Step 4. SCSI ID Conflict.

If you have multiple SCSI devices, please make sure that no ID numbers are duplicated. To reduce the chance the ID switch will malfunction, test each SCSI device individually.

### Step 5. Poor External Cable Problems.

Weak electrical grounding may occur if many SCSI devices are daisy chained and some of the external cables are not "high density" 68-pin cables. For example, if you are daisy chaining many SCSI devices to MAC through 68-pin SCSI cables and you have intermittent failures, it is recommended that you replace this cable with a better quality cable.



1430 Tully Road, Suite 416 • San Jose, CA 95122 USA  
Phone: 408-947-8300 • Fax: 408-947-8333

Email: [info@audavi.com](mailto:info@audavi.com)  
Corporate Website: [www.audavi.com](http://www.audavi.com)

©COPYRIGHT 2005-2010 AUDAVI CORPORATION.  
ALL BRAND AND PRODUCT NAMES ARE REGISTERED TRADEMARKS OF THEIR RESPECTIVE OWNERS.

# HARDTAPE<sup>®</sup> BAY

## Quick Start Guide Ultra Wide SCSI HardTape Bay



The Ultra Wide SCSI HardTape Bay is designed to allow HardTape cartridges to interface with a wide range of SCSI cards, including SCSI cards for both Mac and Sun workstations.

### Installing Host Adapter

To Install the host SCSI adapter, please refer to the instructions provided by the manufacturer of your adapter.

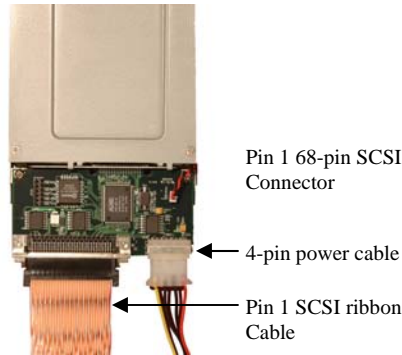
### Ultra Wide SCSI HardTape Bay Installation

**Step 1.** Mount the HardTape bay into any vacant 3.5" floppy slot [you may also mount in a vacant 5.25" slot using a 3.5" to 5.25" adapter bracket (P/N HTS-6500-ADAP-BK/BG)]. Using the supplied M3 mounting screws, tighten two screws on each side until the HardTape bay is tight and doesn't move.



Figures 1

**Step 2.** Locate pin-1 of the 68-pin SCSI connector on the Ultra Wide SCSI HardTape Bay PCB. (See Figure 2).



**Figure 2**

**Step 3.** Identify pin-1 of the SCSI ribbon cable connector. This will be the same side as the colored line on the ribbon cable itself (See Figure 2).

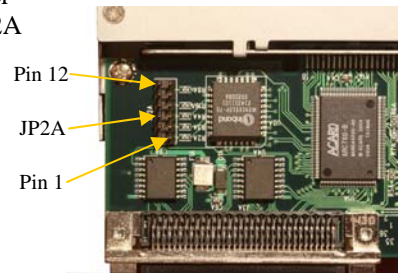
**Step 4.** Connect the SCSI ribbon cable connector to the Bay PCB connector aligning pin-1 to pin-1.

**Step 5.** Connect the 4-pin power cable to the Bay PCB.

**Configuring jumper settings on your Ultra Wide SCSI HardTape Bay.**

There are three functions to set via jumper selection on the SCSI HardTape Bay JP2A connector (See Figure 3):

- Terminator enable/disable
- Terminator power on/off
- SCSI ID number setup



**Figure 3**

Please follow the instructions below to determine your jumper setting.

**Step 1. Terminator Enable / Disable (pins 9-10)**

When your device is at the end of the SCSI bus cable or there is only one device on this cable, the terminator should be enabled. If you need to disable the terminator, remove the factory installed jumper from pins 9 and 10 (see Figure 4).

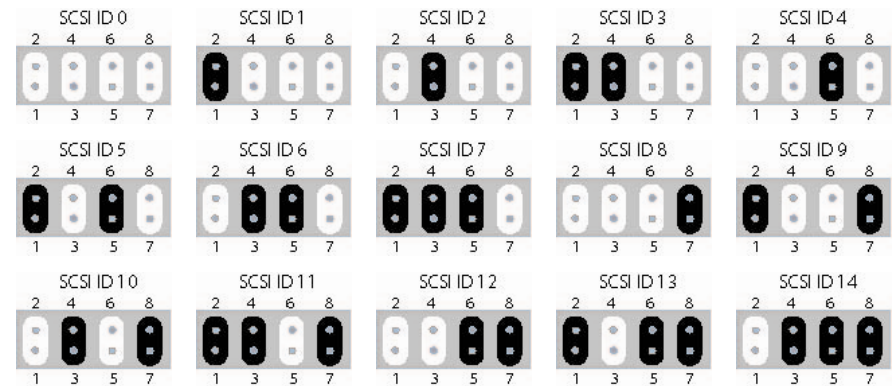


**Pins**  
**1, 3, 5, 7 : SCSI ID Number**  
**2, 4, 6, 8 : SCSI ID Common Ground**  
**9, 10 : Terminator Enable/Disable**  
**11, 12 : Terminator Power On/Off**

**Figure 4**

**Step 2. SCSI ID Number (Pins 1-8)**

For every device on one SCSI adapter card, there is a unique ID number identifying that device. Use the information in Figure 5 to set a unique ID number for your SCSI bay.



**Figure 5**

**Step 3. Terminator Power (Pins 11-12)**

Default setting is on. However, you can turn it off by removing the jumper between pins 11 and 12.